

**ENERPAC** 

# ZE Electric Pump Series

10,000 psi



**ENERPAC**   
Hydraulic Technology Worldwide

**Z** Tough.  
Dependable.  
Innovative.  
**CLASSIC**

Unsurpassed in technology,  
design and features — only  
from the market leader in  
industrial hydraulic pumps.

Introducing the *Z-Class* power pumps from Enerpac—  
pumps that run cooler, use less electricity and are easy to service.

Enerpac has used the latest metallurgical, bearing and seal technologies to produce a pump whose features and benefits far surpass the electric pumps that are available today. By reducing the number of moving parts, improving flow dynamics and decreasing friction, *Z-Class* pumps will stay on the job longer, require less energy to operate and when needed, have lower service costs.

*Z-Class* electric pumps from Enerpac—simply the best pump you will ever use.



# An Innovation in Pump Design

## Z-Class Pumping Element

**Highly efficient design** provides increased flow rates, reduced heat generation and a decrease in power consumption. This means improved tool speed and increased service life—which results in higher productivity and lower operating costs.

**Heavy-duty bearings** extend pump life by reducing friction, reducing surface-loading and lowering bearing stresses.

**Pump cavity oil bath** extends pump life by reducing heat, improving lubrication and reducing wear.

**Self-priming, high-flow 1st stage pump** increases pump performance by super-charging the 2nd stage piston pump—improving oil flow in both hot and cold weather operation.

**Balanced rotating components reduce vibration** creating a smoother running pump—reducing wear, friction and sound levels.

**Replaceable piston check-valves** increase service life of major pump components.

## ZE Series Electric Pumps

**Available in 4 flow ranges** and single and two-stage models, to provide the optimum cylinder and tool performance for almost any industrial application.

Pump Series	Motor Size	Flow @ Rated Pressure
ZE3	1 hp	40 in <sup>3</sup> /min
ZE4	1.5 hp	60 in <sup>3</sup> /min
ZE5	3.0 hp	120 in <sup>3</sup> /min
ZE6	7.5 hp	200 in <sup>3</sup> /min

**Extensive list of accessories** including heat exchanger, roll-bars, pressure transducer and level and temperature switches, allow complete pump control over a wide range of industrial applications.

**Low-voltage pendant** features sealed switches and operates at 15 vdc for improved operator safety.

**Totally enclosed, fan-cooled industrial motor** provides safe, trouble-free operation for the life of the pump.

### Optional back-lit LCD

- pump usage information, hour and cycle counts
- low-voltage warning and recording
- self-test and diagnostic capabilities
- information displayed in 6 languages
- pressure read-out (when used with optional pressure transducer)
- Auto-mode pressure setting (when used with optional pressure transducer)



▼ Shown from left to right: **ZE3304MB-K, ZE4110DB-FHR**








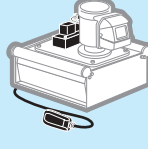
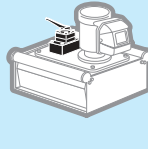
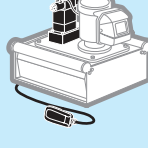
## The New Standard for Industrial Applications, Z-Class



All models in the chart below are the industry's most commonly selected pump configurations. See the Z-Class pump ordering matrix for more options.

Page: 15

### ▼ SELECTION CHART \*

BASIC PUMP CONFIGURATIONS Select your ZE pump model here for most applications. For special requirements, see the ZE Pump ordering matrix.	Pump Type	Used with Cylinder		Valve Function			Valve** Model Number	Useable Oil Capacity (gal)
								
<b>ZE-Series with Dump Valve</b> <ul style="list-style-type: none"> <li>• Ideal for punching, crimping and cutting</li> <li>• For use when load holding is not required</li> <li>• Push-button control pendant with 10 ft. cord controls the valve and motor</li> </ul>		●		●		●	VE32D	1.0
		●		●		●	VE32D	2.0
		●		●		●	VE32D	5.0
<b>ZE-Series with Manual Valve</b> <ul style="list-style-type: none"> <li>• Ideal choice for most applications</li> <li>• Manual valve control, for both single-acting or double-acting applications</li> <li>• Manual motor control</li> </ul>		●		●		●	VM32	2.0
		●		●		●	VM32	5.0
		●		●	●	●	VM33	2.0
		●		●	●	●	VM33	5.0
			●	●	●	●	VM43	2.0
			●	●	●	●	VM43	5.0
<b>ZE-Series with Solenoid Valve</b> <ul style="list-style-type: none"> <li>• Ideal for production and lifting applications</li> <li>• All valves are 3-position for Advance-Hold-Retract</li> <li>• Push-button control pendant with 10 ft. cord controls the valve and motor</li> <li>• Includes LCD electrical package</li> </ul>		●		●	●	●	VE33	1.0
		●		●	●	●	VE33	2.0
		●		●	●	●	VE33	5.0
			●	●	●	●	VE43	2.0
			●	●	●	●	VE43	5.0
			●	●	●	●	VE43	10.0

\* All models in this chart are 115 VAC, 1-phase at 50/60 Hz. For other options, please refer to the ZE Pump ordering matrix on page 15.

\*\* See Valve Section for technical information.

# ZE3 & ZE4 Electric Pump Series

- Features *Z-Class* high-efficiency pump design; higher oil flow and by-pass pressure, cooler running and requires 18% less current draw than comparable pumps
- Totally enclosed, fan-cooled industrial electric motors supply extended life and stand up to harsh industrial environments
- Low-voltage pendant, on certain models, provides additional safety for the operator
- Multiple valve and reservoir configurations provide application specific models to match the most demanding industrial applications
- High-strength, molded electrical enclosure protects electronics, power supplies and LCD readout from harsh industrial environments
- LCD readout provides a number of diagnostic and readout capabilities never before offered on an industrial pump (included with electric valve models, optional on other models)

## ZE3 ZE4 Series



Reservoir Capacity:  
**1.0 - 10 gal.**

Flow at Rated Pressure:  
**40 - 60 in<sup>3</sup>/min**

Motor Size:  
**1.0 - 1.5 hp**

Maximum Operating Pressure:  
**10,000 psi**



All *Z-Class* electric pumps are CSA and CE compliant.



### Single-Stage or Two-Stage

Choose single-stage pumps for applications that require constant flow regardless of pressure, such as testing or clamping.

Two-stage pumps have an increased output flow at low pressure to allow fast movement towards the load, for reduced cycle times and increased productivity.



### How to Order Single-Stage Pumps

To specify a single-stage pump, place the letter "S" at the end of the model number.

For example:

**ZE5320LG-S**

This is a 3.0 hp ZE5 series pump with a VM33 manual valve, 5 gallon reservoir, LCD electrical box, 220 VAC, 50/60 Hz 3-phase motor and single-speed option.

ZE3 Series (1.0 hp) Output Flow Rate at 10,000 psi: 40 in <sup>3</sup> /min				ZE4 Series (1.5 hp) Output Flow Rate at 10,000 psi: 60 in <sup>3</sup> /min			
Standard Electric		LCD Electric		Standard Electric		LCD Electric	
Model Number	Weight (lbs)	Model Number	Weight (lbs)	Model Number	Weight (lbs)	Model Number	Weight (lbs)
N/A		ZE3104DB	95	N/A		ZE4104DB	104
N/A		ZE3108DB	105	N/A		ZE4108DB	114
N/A		ZE3120DB	141	N/A		ZE4120DB	150
ZE3208MB	96	ZE3208LB	101	ZE4208MB	104	ZE4208LB	110
ZE3220MB	132	ZE3220LB	137	ZE4220MB	140	ZE4220LB	146
ZE3308MB	97	ZE3308LB	103	ZE4308MB	105	ZE4308LB	111
ZE3320MB	133	ZE3320LB	138	ZE4320MB	141	ZE4320LB	147
ZE3408MB	97	ZE3408LB	103	ZE4408MB	106	ZE4408LB	111
ZE3420MB	133	ZE3420LB	139	ZE4420MB	141	ZE4420LB	147
N/A		ZE3304SB	107	N/A		ZE4304SB	115
N/A		ZE3308SB	117	N/A		ZE4308SB	125
N/A		ZE3320SB	153	N/A		ZE4320SB	161
N/A		ZE3408SB	117	N/A		ZE4408SB	125
N/A		ZE3420SB	153	N/A		ZE4420SB	161
N/A		ZE3440SB	204	N/A		ZE4440SB	212

\* All models in this chart are 115 VAC, 1-phase at 50/60 Hz. For other options please refer to the ZE Pump ordering matrix on page 15.

▼ Shown from left to right: ZE6440SG-HNU, ZE5420LG








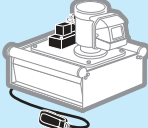
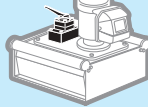
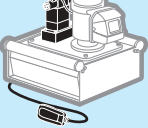
## The New Standard for Industrial Applications, Z-Class



All models in the chart below are the industry's most commonly selected pump configurations. See the Z-Class pump ordering matrix for more options.

Page: 15

### ▼ SELECTION CHART \*

BASIC PUMP CONFIGURATIONS Select your ZE pump model here for most applications. For special requirements see the ZE Pump ordering matrix.	Pump Type	Used with Cylinder		Valve Function			Valve** Model Number	Useable Oil Capacity (gal)	
									
<b>ZE-Series with Dump Valve</b> <ul style="list-style-type: none"> <li>• Ideal for punching, crimping and cutting</li> <li>• For use when load holding is not required</li> <li>• Push-button control pendant with 10 ft. cord controls the valve and motor</li> </ul>		●		●		●	VE32D	2.5	
		●		●		●	VE32D	5.0	
<b>ZE-Series with Manual Valve</b> <ul style="list-style-type: none"> <li>• Ideal choice for most applications</li> <li>• Manual valve control, for both single-acting or double-acting applications</li> <li>• Manual motor control</li> </ul>		●		●		●	VM32	2.5	
		●		●		●	VM32	5.0	
		●		●	●	●	VM33	5.0	
		●		●	●	●	VM33	10.0	
			●	●	●	●	VM43	5.0	
			●	●	●	●	VM43	10.0	
<b>ZE-Series with Solenoid Valve</b> <ul style="list-style-type: none"> <li>• Ideal for production and lifting applications</li> <li>• All valves are 3-position for Advance-Hold-Retract</li> <li>• Push-button control pendant with 10 ft. cord controls the valve and motor</li> <li>• Includes LCD electrical package</li> </ul>		●		●	●	●	VE33	2.5	
		●		●	●	●	VE33	5.0	
				●	●	●	VE43	2.5	
			●	●	●	●	VE43	5.0	
			●	●	●	●	VE43	10.0	
			●						
			●						

\* All models in this chart are 220 VAC, 3-phase at 50/60 Hz. For other options please refer to the ZE Pump ordering matrix on page 15.

\*\* Refer to Valve Section for technical information on page 12.

# ZE5 & ZE6 Electric Pump Series

- Features **Z-Class** high-efficiency pump design; higher oil flow and by-pass pressure, cooler running and requires 18% less current draw than comparable pumps
- Totally enclosed, fan-cooled industrial electric motors supply extended life and stand up to harsh industrial environments
- Low-voltage pendant, on certain models, provides additional safety for the operator
- Multiple valve and reservoir configurations provide application specific models to match the most demanding industrial applications
- High-strength, molded electrical enclosure protects electronics, power supplies and LCD readout from harsh industrial environments
- LCD readout provides a number of diagnostic and readout capabilities never before offered on an industrial pump (included with electric valve models, optional on other models)

## ZE5 ZE6 Series



Reservoir Capacity:  
**2.5 - 10 gal.**

Flow at Rated Pressure:  
**120 - 200 in<sup>3</sup>/min**

Motor Size:  
**3.0 - 7.5 hp**

Maximum Operating Pressure:  
**10,000 psi**



All Z-Class electric pumps are CSA and CE compliant.



### Single-Stage or Two-Stage

Choose single-stage pumps for applications that require constant flow regardless of pressure, such as testing or clamping. Two-stage pumps have an increased output flow at low pressure to allow fast movement towards the load, for reduced cycle times and increased productivity.



### How to Order Single-Stage Pumps

To specify a single-stage pump, place the letter "S" at the end of the model number.

For example:

**ZE5320LG-S**

This is a 3.0 hp ZE5 series pump with a VM33 manual valve, 5 gallon reservoir, LCD electrical box, 220 VAC, 50/60 Hz 3-phase motor and single-speed option.

ZE5 Series (3.0 hp) Output Flow Rate at 10,000 psi: 120 in <sup>3</sup> /min				ZE6 Series (7.5 hp) Output Flow Rate at 10,000 psi: 200 in <sup>3</sup> /min			
Standard Electric***		LCD Electric		Standard Electric***		LCD Electric	
Model Number	Weight (lbs)	Model Number	Weight (lbs)	Model Number	Weight (lbs)	Model Number	Weight (lbs)
N/A		ZE5110DG	136	N/A		ZE6110DG	176
N/A		ZE5120DG	163	N/A		ZE6120DG	203
ZE5210MG	124	ZE5210LG	132	ZE6210MG	164	ZE6210LG	172
ZE5220MG	151	ZE5220LG	159	ZE6220MG	191	ZE6220LG	199
ZE5320MG	152	ZE5320LG	160	ZE6320MG	192	ZE6320LG	200
ZE5340MG	203	ZE5340LG	210	ZE6340MG	243	ZE6340LG	250
ZE5420MG	152	ZE5420LG	160	ZE6420MG	192	ZE6420LG	200
ZE5440MG	203	ZE5440LG	210	ZE6440MG	243	ZE6440LG	251
N/A		ZE5310SG	147	N/A		ZE6310SG	188
N/A		ZE5320SG	174	N/A		ZE6320SG	214
N/A		ZE5410SG	147	N/A		ZE6410SG	188
N/A		ZE5420SG	174	N/A		ZE6420SG	214
N/A		ZE5440SG	225	N/A		ZE6440SG	265

\* All models in this chart are 220 VAC, 3-phase at 50/60 Hz. For other options please refer to the ZE Pump ordering matrix on page 15.

\*\*\* Standard Electric models with 3-phase motors are shipped without cord, motor starter or overload protection.

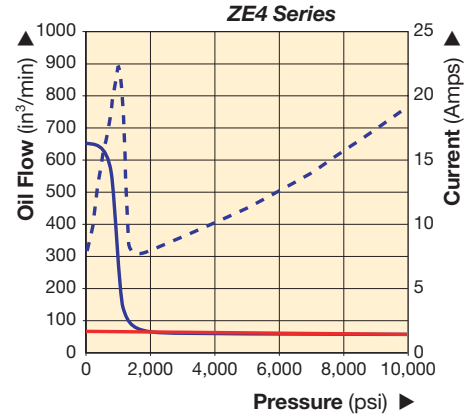
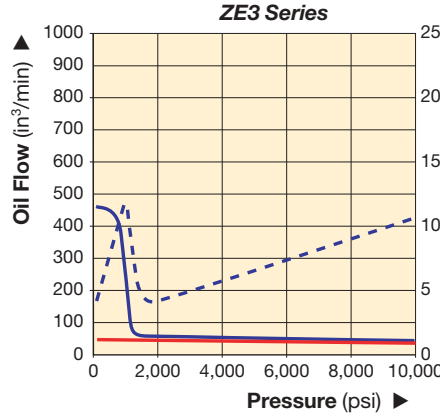
## ▼ PERFORMANCE CHART

ZE Pump Series	Operation	Output Flow Rate (in <sup>3</sup> /min)				Motor Size		Relief Valve Adjustment Range (psi)	Sound Level (dBA)
		100 psi	700 psi	5,000 psi	10,000 psi	hp	RPM		
3	Single-stage	43	43	42	40	1.0	1750	1000 - 10,000	75
	Two-stage	450	385	42	40				
4	Single-stage	64	64	62	60	1.5	1750	1000 - 10,000	75
	Two-stage	650	600	62	60				

Output flow rate is listed at 60 Hz.

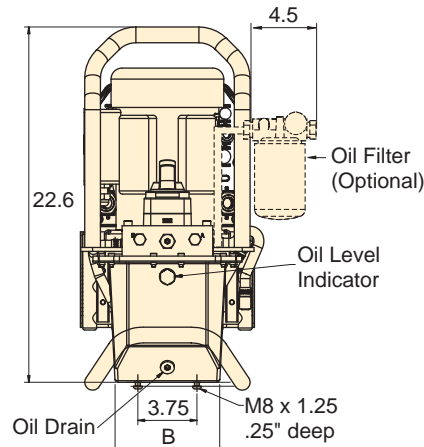
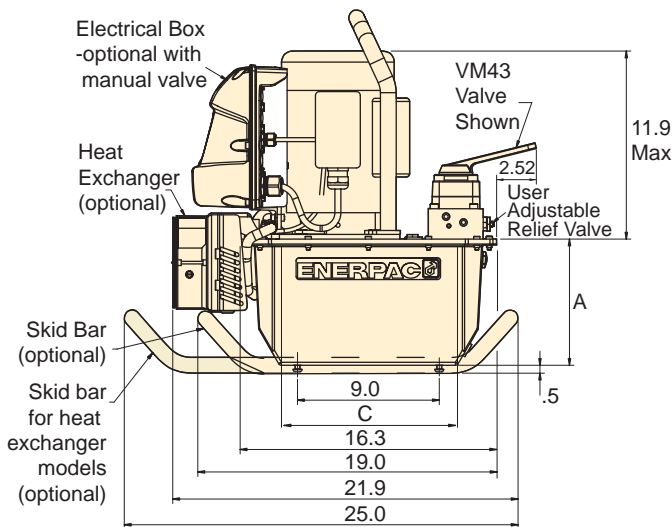
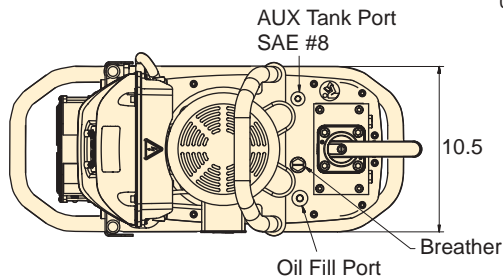
Flow rate will be approximately 5/6 of these values at 50 Hz.

## ▼ FLOW CHARTS



ZE3 series single-stage ———  
ZE3 series two-stage ———  
ZE3 Amp draw at 115V/1ph - - - -

ZE4 series single-stage ———  
ZE4 series two-stage ———  
ZE4 Amp draw at 115V/1ph - - - -



Useable Oil Capacity (gal)	Dimensions ZE series (in)			Weight (lbs)	
	A	B	C	ZE3	ZE4
1.0	5.6	6.0	11.0	86	94
2.0	8.0	6.6	11.3	96	105



### Reservoir information

One and two gallon reservoirs are only available with ZE3 and ZE4 series pumps. 2.5, 5 and 10 gallon reservoirs are available on all sizes of ZE series pumps.

Pump weights are shown with LCD electric, no valves and no accessories



# ZE5 & ZE6 Electric Pump Series

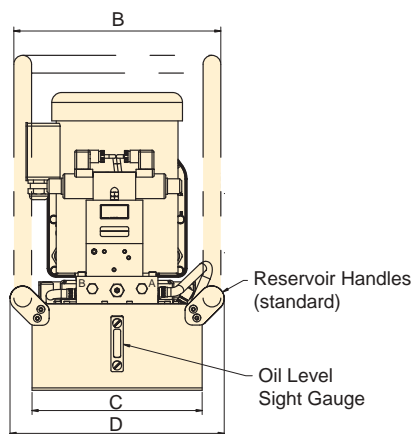
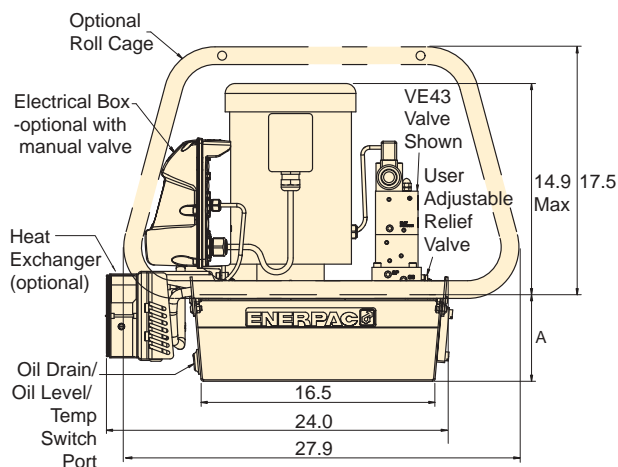
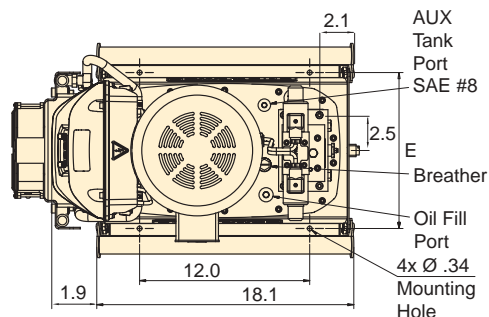
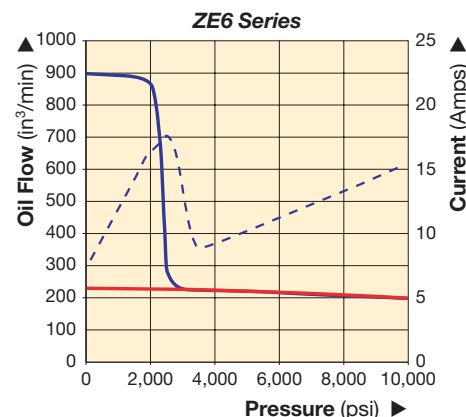
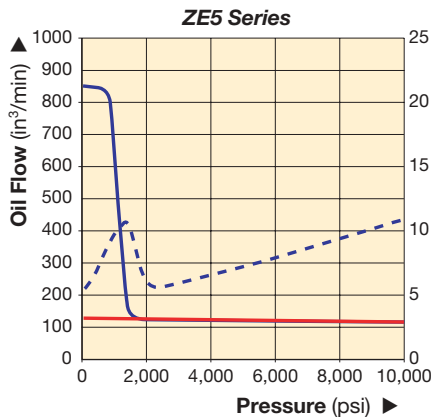
## ▼ PERFORMANCE CHART

ZE Pump Series	Operation	Output Flow Rate (in <sup>3</sup> /min)				Motor Size		Relief Valve Adjustment Range (psi)	Sound Level (dBA)
		100 psi	700 psi	5,000 psi	10,000 psi	hp	RPM		
5	Single-stage	128	126	123	120	3.0	1750	1000 - 10,000	75
	Two-stage	850	825	123	120				
6	Single-stage	220	215	210	200	7.5	3450	1000 - 10,000	80
	Two-stage	900	890	210	200				

Output flow rate is listed at 60 Hz.

Flow rate will be approximately 5/6 of these values at 50 Hz.

## ▼ FLOW CHARTS



Useable Oil Capacity (gal)	Dimensions ZE series (in)					Weight (lbs)			
	A	B	C	D	E	ZE3	ZE4	ZE5	ZE6
2.5	6.1	14.6	12.0	15.1	11.0	106	114	127	167
5.0	7.1	19.2	16.6	19.7	15.6	132	141	154	194
10.0	10.6	22.5	19.9	22.7	18.9	183	191	204	244

Pump weights are shown with LCD electric, no valves and no accessories.

▼ Shown: ZPF mounted on ZE4110DB-FHR



## ZPF Series



Filtration:  
**25 micron**

Maximum Operating Pressure:  
**200 psi**



### ZPF-Series

The oil filter kit removes contaminants from the return oil flow before allowing it back into the reservoir, reducing component damage created by oil borne contaminants.



### PF25 Replacement Filter Element

For best performance, replace filter element regularly.

## ZPF Series Return Line Filter

- Extends life of hydraulic components and increases system reliability
- 25 micron nominal return line filter cleans oil to increase system life
- Internal by-pass valve to prevent damage if the filter is dirty
- Kit assembles quickly and easily to Enerpac Z-Class pumps
- Replaceable filter element
- Maintenance indicator included
- A variety of installation hardware included

Nominal Filtration	Model Number	Maximum Pressure	Maximum Oil Flow	By-pass Setting	Replacement Filter Element	Weight
(micron)		(psi)	(GPM)	(psi)		(lbs)
25	ZPF	200	12.0	25	PF25	3.2

▼ Shown: ZHE-E10 mounted on ZE6440SG-HNU



## ZHE Series



Transfer:  
**900 Btu/h**

Maximum Operating Pressure:  
**300 psi**



### HE-Series

Heat exchanger removes heat from the bypass oil to provide cooler operation. This stabilizes oil viscosity, increases pump life and reduces wear of other hydraulic components.



Do not exceed maximum flow and pressure ratings. Heat exchanger is not suitable for water-glycol or high water-based fluids.

## ZHE Series Heat Exchanger

- Extends system life
- All installation components included
- Stabilizes oil temperature at a maximum of 130° F at 70° F ambient temperature
- Stabilizes oil viscosity, increasing oil life and reduces wear of pump and other hydraulic components

Voltage	Model Number	Reservoir Size	Thermal Transfer**	Amperage Draw	Maximum Pressure	Maximum Oil Flow	Weight
		(Gal.)	(Btu/h)	(Amps)	(psi)	(GPM)	(lbs)
24 VDC	ZHE-E04	1, 2	900	.95	300	7.0	9.0
	ZHE-E10	2.5, 5, 10					

\*\* At 0.5 GPM

▼ Shown: ZLS-U4 mounted on ZE3410SG-HL



## ZLS Series Oil Level/ Temperature Switch

- Ensures feedback on pump oil level and temperature
- Drop-in design allows for easy installation to pump reservoir
- Plugs directly into pump electrical enclosure
- Built-in thermal sensing shuts off pump when unsafe operating temperature is reached
- Oil level switch shuts down pump before oil reaches an unsafe operating level

▼ Shown: ZPT-U4 mounted on ZE4110DB-FHRT



## ZPT Series Electronic Pressure Transducer

- Controls pump and monitors system
- More durable than analog gauges (against mechanical and hydraulic shock)
- More accurate than analog gauges (0.5% full scale of pump)
- Calibration can be fine tuned for certification
- “Auto-mode” provides automatic pressure control
- Display pressure in psi, bar, or MPa

## ZLS Series



Temperature/Switchpoint:

**175° F**

Voltage:

**24 VAC / DC**



### ZLS Series Level/ Temperature Switch

Oil level indicator for pump reservoir. If the pump is mounted in a remote area that does not provide visual access to the external oil level sight glass, the level switch provides a signal to turn off the pump before internal damage can occur due to cavitation.

Fixed Temperature Signal (°F)	Voltage	Model Number	Operating Temperature (°F)	Thermostat Rating (Amps)	Maximum Pressure (psi)	Weight (lbs)
175	24 VAC/DC	ZLS-U4	40-230	2.6	150	0.11

## ZPS-ZPT Series



Pressure Range:

**50 - 10,000 psi**



### ZPT Series

The pressure transducer is factory installed in the “A” port on pumps supplied with valves, and in the system port on all other configurations.



ZPT-U4 transducer can control motor or valve solenoid functions. ZPS-E3 pressure switch will only control motor function.

Adjustable Pressure Range (psi)	Model Number	Electrical Specification	Deadband (psi)	Switchpoint Repeatability	Oil Ports	Weight (psi)
50-10,000	ZPT-U4	4-20 mA	50	± 0.5%	1/4" NPTF	.3
500-10,000	ZPS-E3*	24 VAC/DC	115-550	± 2%	3/8" NPTF	2.7

\* Includes 15,000 psi gauge

▼ Shown from left to right: VM32, VE33, VM33, VM43L, VE43-115



## For Reliable Control of Single and Double-Acting Cylinders

- Advance/Retract and Advance/Retract/Retract operation of single-acting and double-acting cylinders
- Manual or solenoid operation
- Pump mounting will retrofit on most Enerpac pumps
- Available “locking” option on VM Series valves for load-holding applications
- Standard “locking” feature on VE Series 3-position valves

▼ ZE4420SB-FH Z-Class pump is mounted next to an Enerpac H-frame press, includes VE43 electric valve to control cylinder operation.



Valve Operation	Used with Cylinder	Valve Type	
Manual	Single-acting	2 Position	
Manual	Single-acting	3 Position, Tandem Center	
Manual	Double-acting	3 Position, Tandem Center	
Manual	Single-acting	3 Position, Tandem Center, Locking	
Manual	Double-acting	3 Position, Tandem Center, Locking	
Solenoid 24 VDC	Single-acting	2 Position, Dump	
Solenoid 24 VDC	Single-acting	3 Position, Tandem Center	
Solenoid 115 VAC	Single-acting	3 Position, Tandem Center	
Solenoid 24 VDC	Double-acting	3 Position, Tandem Center	
Solenoid 115 VAC	Double-acting	3 Position, Tandem Center	



## About the VM/VE Series

Enerpac's new line of VM and VE series valves include several new features and design improvements over competitive models.

All valves feature several gauge ports for "system", A port and B port pressure monitoring. User adjustable relief valves are included on all models to allow the operator to easily set the optimum working pressure for each application. VM33 and VE43 valves include "System Check" feature, for more precise pressure holding and improved system control. The VM33 has improved porting which provides faster cylinder retraction while motor is running.

All of the features make it easy to see that Enerpac is the only choice for high pressure hydraulic pumps and valves.

## VM and VE Series



Flow Capacity:

**4.5 gal./min.**

Maximum Operating Pressure:

**10,000 psi**



## Push-Button Control Station

VE33-115 and VE43-115 electric valves are supplied with IC400 control station. These valves include an 8 ft. power cord, and can be used on any Enerpac pump. They require a separate 115 volt power supply to operate.

Model Number	Hydraulic Symbol	Schematic Flowpath			Weight (lbs)
		Advance	Hold	Retract	
VM32					5.6
VM33					6.7
VM43					6.8
VM33L					10.7
VM43L					10.8
VE32D					8.7
VE33					20.3
VE33-115					20.3
VE43					20.3
VE43-115					20.3

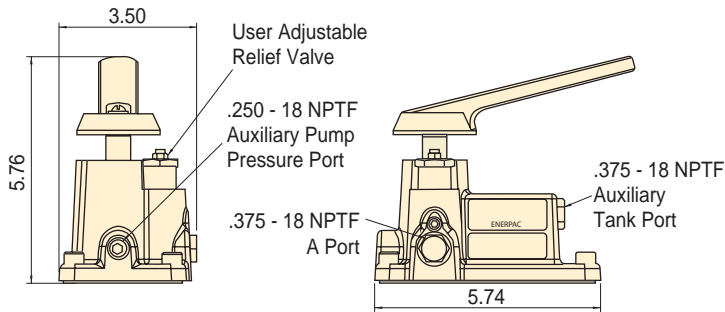


## Locking Valves

For applications that require positive load holding, VM Series valves (except the VM32 valve) are available with a pilot-operated check valve. This option provides hydraulic locking of the load until the valve is shifted into the retract position.

To order this feature, place an "L" at the end of the model number.

Valve dimensions in inches



**VM32**

## VM and VE Series

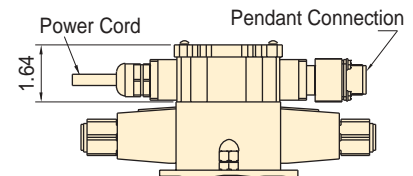
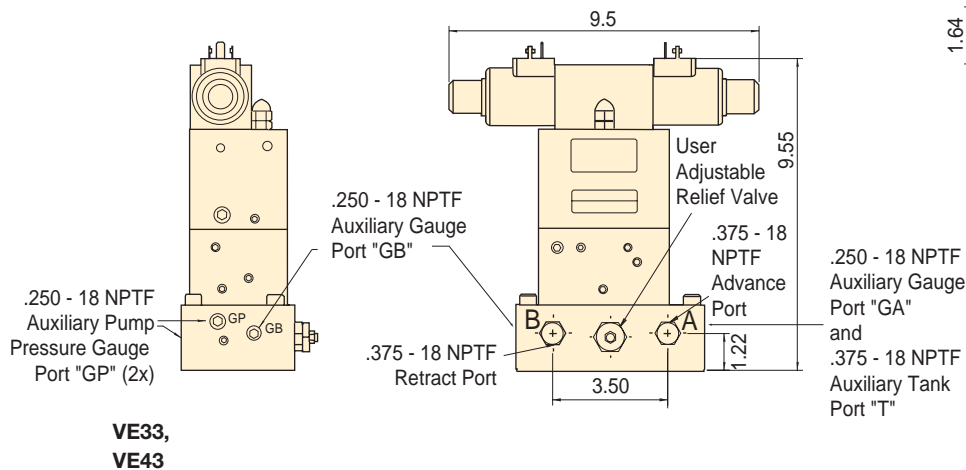
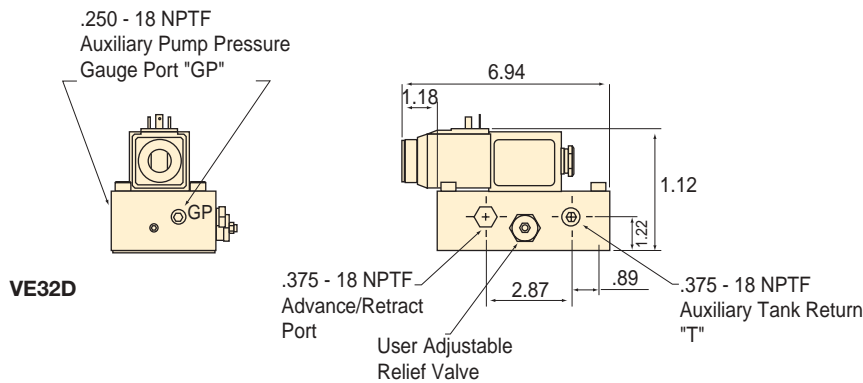
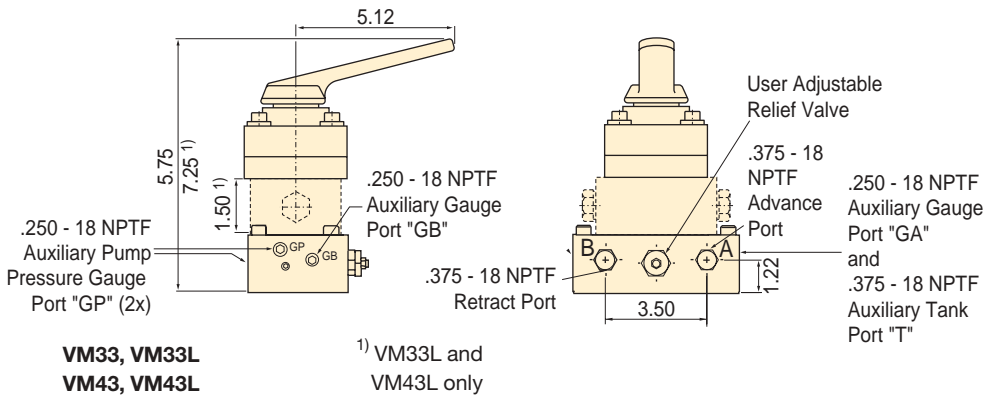


Flow Capacity:

**4.5 gal./min.**

Maximum Operating Pressure:

**10,000 psi**



# ZE Electric Pump Ordering Matrix

## CUSTOM BUILD YOUR ZE SERIES PUMP

If the ZE Series pump that would best fit your application cannot be found in the chart on pages 4 through 7, you can easily build your custom ZE Series pump here.

▼ This is how a ZE Series Pump model is built up:

<b>Z</b>	<b>E</b>	<b>4</b>	<b>4</b>	<b>20</b>	<b>L</b>	<b>B</b>	<b>-</b>	<b>F</b>	<b>H</b>	<b>L</b>	<b>T</b>
1	2	3	4	5	6	7		8	8	8	8
Product Type	Motor Type	Flow Group	Valve Type	Useable Oil Capacity	Valve Operation	Voltage		Options	Options	Options	Options

### 1 Product Type

**Z** = Pump Class

### 2 Prime movers

**E** = Induction Electric Motor

### 3 Flow Group

- 3** = 40 in<sup>3</sup>/min @ 10,000 psi
- 4** = 60 in<sup>3</sup>/min @ 10,000 psi
- 5** = 120 in<sup>3</sup>/min @ 10,000 psi<sup>1)</sup>
- 6** = 200 in<sup>3</sup>/min @ 10,000 psi<sup>1)</sup>

### 4 Valve Types

- 0** = No valve w/coverplate
- 1** = Dump (VE32D)
- 2** = 3 way/2 position manual (VM32)
- 3** = 3 way/3 position manual or electric (VM33 or VE33)
- 4** = 4 way/3 position manual or electric (VM43 or VE43)
- 6** = 3 way/3 position locking manual w/po check (VM33L)
- 8** = 4 way/3 position locking manual w/po check (VM43L)

### 5 Useable Oil Capacity

- 04** = 1.0 gallon<sup>2)</sup>
- 08** = 2.0 gallon<sup>2)</sup>
- 10** = 2.5 gallon
- 20** = 5.0 gallon
- 40** = 10.0 gallon

### 8 Options (specify in alphabetical order)

- |   |   |
|---|---|
| <b>F</b> = Filter                                       | <b>P</b> = Pressure switch <sup>4)</sup>        |
| <b>G</b> = 0-15,000 psi Gauge (2 1/2" <sup>7)</sup>     | <b>R</b> = Roll bar                             |
| <b>H</b> = Heat Exchanger <sup>4)</sup>                 | <b>S</b> = Single stage                         |
| <b>K</b> = Skidbar (1 and 2 gal. reservoirs only)       | <b>T</b> = Pressure transducer <sup>4) 7)</sup> |
| <b>L</b> = Level/temp switch <sup>4) 5)</sup>           | <b>U</b> = Foot switch <sup>4)</sup>            |
| <b>N</b> = No reservoir handles (includes lifting eyes) |   |

- 1) ZE5 and ZE6 series pumps only available with 3-phase motors.
- 2) 1 and 2 gallon reservoirs only available on ZE3 and ZE4 series pumps.
- 3) 115 volt pumps are supplied with CE and CSA approved 15 amp plug for intermittent use. 20 A circuit recommended for frequent full pressure use.
- 4) These options require LCD electrical package. Pressure switch option only available on manual valves without locking valve. The LCD electrical package can accept either a pressure switch or pressure transducer, but not both.
- 5) Not available with 1 and 2 gallon reservoirs.
- 6) Standard Electric models with 3-phase motors are shipped without cord, motor starter or overload protection.
- 7) Pressure gauge not available on pump models with pressure transducer. Pressure transducer provides digital pressure readout on LCD display.

## ZE Series



Reservoir Capacity:

**1 - 10 gal.**

Flow at Rated Pressure:

**40 - 200 in<sup>3</sup>/min.**

Motor Size:

**1.0 - 7.5 hp**

Maximum Operating Pressure:

**10,000 psi**



### Ordering Example 1

**Model Number: ZE4420MB**

ZE4420MB is a 60 in<sup>3</sup>/min, 10,000 psi pump with a 4 way, 3-position manual valve, a 5 gallon reservoir, operates on a 115 VAC 1 ph 50/60 Hz motor and includes standard electrical package.

### Ordering Example 2

**Model Number: ZE6440SG-HNU**

ZE6440SG-HNU is a 200 in<sup>3</sup>/min, 10,000 psi pump with a 4 way, 3-position electric valve, a 10 gallon reservoir, operates on a 230 VAC 3 ph 50/60 Hz motor. It includes LCD electrical package and foot switch on 10 ft cord, no reservoir handles and the optional heat exchanger.

▼ ZE6440SG-HNU pump as described in ordering example 2.



# ZE Electric Pump Series



**ENERPAC**

## The Industrial Tools Line

### Cylinders

- General Purpose
- Pancake
- Aluminum Lightweight
- Low Height
- Heavy-duty
- Hollow Plunger
- Industrial
- Pull
- Jacks
- Spread

### Pumps

- Manual
- Electric Driven
- Compressed Air Driven
- Gasoline Driven

### System Components

- Hoses, Couplers, Oil
- Gauges, Adaptors
- Manifolds, Fittings

### Valves

- 3-and 4-Way Directional
- Pressure and Flow Control

### Presses

- Bench and Workshop
- Roll Frame Presses
- Arbor and C-Clamps

### Pullers

- Master Puller Sets
- Multi Purpose Puller Sets
- Posi Lock® Pullers

### Tools

- Maintenance Sets
- Punches
- Machine Lifts
- Load Skates
- Cutters
- Pipe Benders

### Bolting Tools

- Nut Splitters
- Flange/Wedge Spreaders
- Flange Alignment Tools
- Torque Wrenches
- Torque Wrench Pumps
- Twin Safety Hoses

### Specialty Products

- Long Stroke Cylinders
- Stage Lift Systems
- Synchronous Lift Systems
- Synchr. Hoisting Systems



See the Enerpac  
Industrial Tools Catalog for  
information about other  
Enerpac high-force tools.

## Enerpac Worldwide Locations

### Africa

ENERPAC Middle East FZE  
P.O. Box 18004  
Jebel Ali, Dubai  
United Arab Emirates  
Tel: +971 (0)4 8872686  
Fax: +971 (0)4 8872687

### Australia

Actuant Australia Ltd.  
Block V Unit 3  
Regents Park Estate  
391 Park Road  
Regents Park NSW 2143  
(P.O. Box 261) Australia  
Tel: +61 297 438 988  
Fax: +61 297 438 648

### Brazil

Power Packer do Brasil  
Ltda.  
Rua dos Inocentes, 587  
04764-050 - Sao Paulo (SP)  
Tel: +55 11 5687 2211  
Fax: +55 11 5686 5583  
Toll Free in Brazil:  
Tel: 0800 891 5770  
vendasbrasil@enerpac.com

### Canada

Actuant Canada  
Corporation  
6615 Ordan Drive,  
Unit 14-15  
Mississauga, Ontario L5T  
1X2  
Tel: +1 905 564 5749  
Fax: +1 905 564 0305  
Toll Free:  
Tel: +1 800 268 4987  
Fax: +1 800 461 2456  
Technical Inquiries:  
techservices@enerpac.com

### China

Actuant China Ltd.  
1F, 269 Fute N. Road  
Waigaoqiao Free  
Trade Zone  
Pudong New District  
Shanghai, 200 131 China  
Tel: +86 21 5866 9099  
Fax: +86 21 5866 7156

### Actuant China Ltd. (Beijing)

709A Diyang Building  
Xin No. 2  
Dong San Huan North Rd.  
Beijing City  
100028 China  
Tel: +86 10 845 36166  
Fax: +86 10 845 36220

### Central and Eastern Europe

ENERPAC B.V.  
Galvanistraat 115  
P.O. Box 8097  
6710 AB Ede  
The Netherlands  
Tel: +31 318 535 936  
Fax: +31 318 535 951

### France

ENERPAC  
Une division de ACTUANT  
France S.A.  
B.P. 200, Parc d'Activités  
du Moulin de Massy  
F-91882 Massy CEDEX  
France  
Tel: +33 1 601 368 68  
Fax: +33 1 692 037 50

### Germany, Austria, Greece and Switzerland

ENERPAC GmbH  
P.O. Box 300113  
D-40401 Düsseldorf  
Germany  
Tel: +49 211 471 490  
Fax: +49 211 471 49 28

### India

ENERPAC Hydraulics  
(India) Pvt. Ltd.  
Office No. 9,10 & 11,  
Plot No. 56, Monarch Plaza,  
Sector 11, C.B.D. Belapur  
Navi Mumbai 400614, India  
Tel: +91 22 2756 6090  
Tel: +91 22 2756 6091  
Fax: +91 22 2756 6095

### Italy

ENERPAC S.p.A.  
Via Canova 4  
20094 Corsico (Milano)  
Tel: +39 02 4861 111  
Fax: +39 02 4860 1288

### Japan

Applied Power Japan Ltd.  
1-1-11, Shimomae  
Toda-shi  
Saitama Pref.  
Japan 335-0016  
Tel: +81 484 30 1055  
Fax: +81 484 30 1066

### Middle East, Turkey and Caspian Sea

ENERPAC Middle East FZE  
P.O. Box 18004  
Jebel Ali, Dubai  
United Arab Emirates  
Tel: +971 (0)4 8872686  
Fax: +971 (0)4 8872687

### Russia and CIS

#### (excl. Caspian Sea Countries)

Actuant LLC  
Admiral Makarov Street 8  
125212 Moscow, Russia  
Tel: +7-095-9809091  
Fax: +7-095-9809092

### Singapore

Actuant Asia Pte. Ltd.  
25 Serangoon North Ave. 5  
#03-01 Keppel Digihub  
Singapore 554914  
Thomson Road  
P.O. Box 114  
Singapore 915704  
Tel: +65 64 84 5108  
+65 64 84 3737  
Fax: +65 64 84 5669  
Toll Free:  
Tel: +1800 363 7722  
Technical Inquiries:  
techsupport@  
enerpac.com.sg

### South Korea

Actuant Korea Ltd.  
3Ba 717,  
Shihwa Industrial Complex  
Jungwang-Dong, Shihung-  
Shi, Kyunggi-Do  
Republic of Korea 429-450  
Tel: +82 31 434 4506  
Fax: +82 31 434 4507

### Spain and Portugal

ENERPAC  
C/San José Artesano 8  
Pol. Ind.  
28108 Alcobendas  
(Madrid) Spain  
Tel: +34 91 661 11 25  
Fax: +34 91 661 47 89

### The Netherlands, Belgium, Luxembourg, Sweden, Denmark, Norway, Finland and Baltic States

ENERPAC B.V.  
Galvanistraat 115  
P.O. Box 8097,  
6710 AB Ede  
The Netherlands  
Tel: +31 318 535 911  
Fax: +31 318 525 613  
+31 318 535 848

Technical Inquiries Europe:  
techsupport.europe@  
enerpac.com

### United Kingdom, Ireland

ENERPAC Ltd.  
P.O. Box 33  
New Romney, TN28 8QF  
United Kingdom  
Tel: +44 1527 598 900  
Fax: +44 1527 585 500

### USA, Latin America and Caribbean

ENERPAC  
P.O. Box 3241  
6100 N. Baker Road  
Milwaukee, WI 53209 USA  
Tel: +1 262 781 6600  
Fax: +1 262 783 9562  
User inquiries:  
+1 800 433 2766  
Distributor inquiries/orders:  
+1 800 558 0530

Technical Inquiries:  
techservices@  
enerpac.com

e-mail: [info@enerpac.com](mailto:info@enerpac.com)

Internet: [www.enerpac.com](http://www.enerpac.com)

Your Enerpac distributor: